

CONDURA

OWNER'S
MANUAL



2-IN-1
MICROWAVE
OVEN



TABLE OF CONTENTS

Safety Precautions.....	01
Safety Instructions	01
Parts	04
Product Specifications	05
Installation	06
Operating Instructions	07
Care and Maintenance	15
Troubleshooting	16

SAFETY PRECAUTIONS

To avoid possible exposure to excessive microwave energy:

- Do not operate the oven with the door open since this may result to harmful exposure to microwave energy.
- Do not break or tamper with the safety interlocks.
- Do not place any object between the oven front face and the door, or allow soil or cleaner residue to accumulate on sealing surfaces.
- **WARNING:** If the door or door seals are damaged, the oven must not be operated until it has been repaired by Condura service technicians.

If the unit is not maintained and cleaned, the surface may be affected and may affect the lifespan of the unit. This may lead to serious dangers.

SAFETY INSTRUCTIONS

To reduce the risk of fire, electric shock, injury to persons or exposure to excessive microwave oven energy, please follow the following instructions:

1. Read and follow the specific safety precautions to avoid possible exposure to excessive microwave energy.
2. This appliance is not intended for use by persons (including children) with reduced physical, sensory or mental capabilities, or lack of experience and knowledge, unless they have been given supervision or instruction concerning use of the appliance by a person responsible for their safety.
3. Keep the appliance and its cord out of reach of children below 8 years.
4. If the power cord is damaged, please contact Condura's customer service hotline for repairs.
5. Ensure that the appliance is switched off before replacing the lamp to avoid electric shock.
6. It is hazardous for anyone other than a service technician to carry out any service or repair that involves the removal of a cover which gives protection against exposure to microwave energy.
7. Liquid and other food must not be heated in sealed containers as this may explode.
8. Supervise heating of food in plastic or paper containers to avoid ignition.
9. Only use utensils that are suitable for use in microwave ovens.
10. If smoke is emitted, switch off or unplug the appliance and keep the door closed in order to stifle any flames
11. Microwave heating of beverages can result to delayed eruptive boiling; therefore, care must be taken when handling the container.

12. The contents of feeding bottles and baby food jars shall be stirred or shaken and the temperature must be checked before consumption in order to avoid scalding.
13. Eggs in their shell and whole hard-boiled eggs should not be heated in microwave ovens as they may explode even after microwave heating has ended.
14. The oven should be cleaned regularly and any food deposits must be removed.
15. Failure to maintain the oven in a clean condition may lead to deterioration of the surface that could adversely affect the lifespan of the appliance and possibly result in a hazardous situation.
16. The appliance must not be installed behind a decorative door in order to avoid overheating.
17. Only use the temperature probe recommended for this oven (for ovens provided with a facility to use a temperature-sensing probe).
18. The microwave oven must not be placed in a cabinet.
19. This appliance is intended to be used in household and similar applications such as:
 - a. staff kitchen areas in shops, offices and other working environments;
 - b. by clients in hotels, motels and other residential type environments;
 - c. farm houses;
 - d. bed and breakfast type environments.
20. The microwave oven is intended for heating food and beverages. Drying of food or clothing and heating of warming pads, slippers, sponges, damp cloth and similar items may lead to risk of injury, ignition or fire.
21. Metallic containers for food and beverages must not be used with the microwave oven.
22. The appliance shall not be cleaned with a steam cleaner.
23. The appliance is intended to be used freestanding.
24. The rear surface of the appliance shall be placed against a wall.
25. The appliances are not intended to be operated by means of an external timer or separate remote-control system.
26. The temperature of accessible surfaces may be high when the oven is operating.
27. When the appliance is operated in combination mode, children should only use the oven under adult supervision due to the temperature generated.

28. This appliance is equipped with a power cord having a grounding wire with a grounding plug. The plug must be plugged into an outlet that is properly installed and grounded.

READ CAREFULLY AND KEEP FOR FUTURE REFERENCE.

TO REDUCE THE RISK OF INJURY TO PERSONS:

GROUNDING INSTALLATION

Danger:

Electric shock hazard: Touching some of the internal components can cause serious personal injury or death. Do not disassemble this appliance.

Warning:

Electric shock hazard: Improper use of the grounding can result in electric shock. Do not plug into an outlet until appliance is properly installed and grounded.

This appliance must be grounded. In the event of an electrical short circuit, grounding reduces the risk of electric shock by providing an escape wire for the electric current. This appliance is equipped with a power cord having a grounding wire with a grounding plug. The plug must be plugged into an outlet

Consult a qualified electrician or serviceman if the grounding instructions are not completely understood or if doubt exists as to whether the appliance is properly grounded. If it is necessary to use an extension cord, use only a 3-wire extension cord.

1. A short power-supply cord is provided to reduce the risks resulting from becoming entangled in or tripping over a longer cord.
2. If a long cord set or extension cord is used:
 - The marked electrical rating of the cord set or extension cord should be at least as great as the electrical rating of the appliance.
 - The extension cord must be a grounding-type 3-wire cord.
 - The long cord should be arranged so that it will not drape over the counter top or tabletop where it can be pulled on by children or tripped over unintentionally.

PARTS

Remove the oven and all materials from the carton and oven cavity.

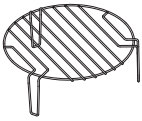
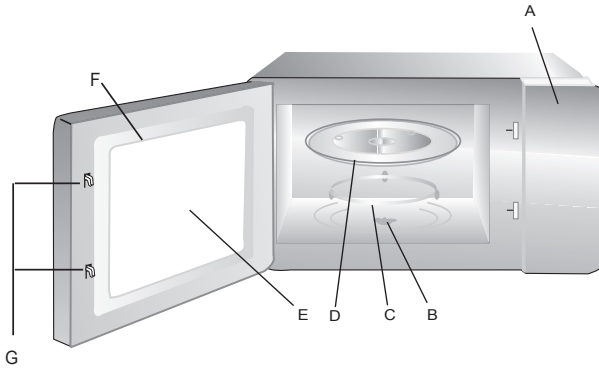
The oven comes with the following accessories:

Glass Tray - 1

Turntable ring assembly - 1

Instruction manual - 1

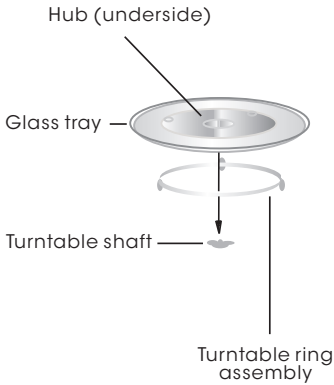
Grill Rack - 1



Grill Rack (must not be used in microwave function and must be placed on the glass tray)

- A. Control panel
- B. Turntable shaft
- C. Turntable ring assembly
- D. Glass tray
- E. Observation window
- F. Door assembly
- G. Safety interlock system

TURNTABLE INSTALLATION



1. Do not place the glass tray upside down. The glass tray must not be restricted or obstructed.
2. Both glass tray and turntable ring assembly must always be used when cooking.
3. All food and containers must be placed on the glass tray.
4. If the glass tray or turntable ring assembly cracks or breaks, please call Condura's customer service hotline.

PRODUCT SPECIFICATIONS

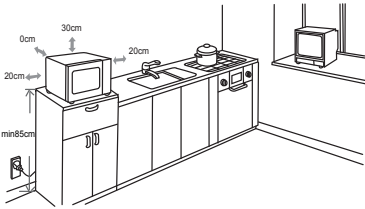
Model	CONMO30.0DMSATDIG
Rated Voltage	230V~60Hz
Rated input power (Microwave)	1,450W
Rated output power (Microwave)	900W
Rated output power (Grill)	1,000W
Oven capacity	30L
Turntable diameter	315mm
External dimensions	520 x 411 x 326mm
Net weight	Approx. 16.38 kg

INSTALLATION

Remove all packing material and accessories. Examine the oven for any damage such as dents or broken door. Do not install if oven is damaged.

Do not remove the light brown Mica cover that is attached to the oven cavity to protect the magnetron.

1. Select a level surface that provides enough open space for the intake and/or outlet vents.



- The minimum installation height is 85cm.
- The rear surface of the appliance shall be placed against a wall.
- Leave a minimum clearance of 30cm above the oven. A minimum clearance of 20cm is required between the oven and any adjacent walls.
- Do not remove the legs from the bottom of the oven.
- Blocking the intake and/or outlet openings can damage the oven.
- Place the oven as far away from radios and TV as possible. Operation of the microwave oven may cause interference

2. Plug your oven into a standard household outlet. Be sure the voltage and the frequency is the same as the voltage and the frequency on the rating label.

WARNING: Do not install oven over a range cooktop or other heat-producing appliance. If installed near or over a heat source, the oven could be damaged and the warranty would be void.

The accessible surfaces may be hot during operation.

OPERATING INSTRUCTIONS

OPERATING INSTRUCTIONS

11 power levels:

Level	10	9	8	7	6	5	4	3	2	1	0
Power	100%	90%	80%	70%	60%	50%	40%	30%	20%	10%	0%
Display	PL 10	PL 9	PL 8	PL 7	PL 6	PL 5	PL 4	PL 3	PL 2	PL 1	PL 0

CLOCK SETTING

1. Press "Clock/Kitchen Timer" once, "00:00" will be shown on the LED display.
2. Press the number keys and enter the current time. For example, if the time is 12:10, press "1,2,1,0" consecutively.
3. Press "Clock/Kitchen Timer" to set the time. ":" will flash and the clock will be lit.
4. If the numbers selected are not within the range of 1:00 – 12:59, the setting will be invalid until valid numbers are selected.

Note:

1. In the process of clock setting, if the " STOP/Cancel " button is pressed or if there is no operation within 1 minute, the oven will go back to the previous setting.
2. If the clock needs to be reset, please repeat steps 1 to 3.

KITCHEN TIMER

1. Press "Clock/Kitchen Timer" twice, and the screen will display "00:00", the first hour figure will also flash.
2. Press the number keys and enter the desired time (the maximum cooking time is 99 minutes and 99 seconds).
3. Press " START/ +30SEC. " to confirm the setting.
4. When the timer ends, the buzzer will ring 5 times.
If the clock is set (12-hour system), the screen will display the current time.

Note:

1. The kitchen timer is different from 12-hour clock system.
2. When running on kitchen timer, any other program cannot be set.

MICROWAVE FUNCTION

1. Press "Time Cook" once, and the screen will display "00:00".
2. Press the number keys to input the cooking time; the maximum cooking time is 99 minutes and 99 seconds.
3. Press "Power " once, and screen will display "PL10". The default power is 100% power. Now you can press number keys to adjust the power level.
4. Press "START/+30SEC." to start cooking.

Example: to cook the food with 50% microwave power for 15 minutes.

1. Press "Time Cook" once and "00:00" will flash.
2. Press "1", "5", "0", "0" in order.
3. Press "Power " once, then press "5" to select 50% microwave power.
4. Press "START/+30SEC." to start cooking.

Note:

1. When setting, if the "STOP/Cancel" button is pressed, or if there is no operation within 1 minute, the oven will go back to the previous setting automatically.
2. If "PL0" is selected, the oven will work with blowing function without any power. You can use this to remove odors.
3. During microwave cooking, "Power" can be pressed to change the power as needed. After pressing "Power", the current power level will flash for 3 seconds. Now you can press the number button to change the power. The oven will work with the selected power for the remaining time.

GRILLER FUNCTION

1. Press the "Grill/Combo" button once to choose the grill function, then screen will display "G-1".
2. Set the cooking time (the maximum cooking time is 99 minutes and 99 seconds).
Example: Set 12 minutes 50 seconds, press "1", "2", "5", "0" in order.
3. Press "START/+30SEC." to start cooking.

Note: If half the grill time passes, the oven will pause and ring twice. This is normal. Just press "START/+30SEC." to continue cooking.

But in order to maximize grilling, please turn the food over, close the door, and then press "START/+30SEC." to continue cooking. If there is no operation in 1 minute, the oven will continue working and beep once.

Use the grill rack for the griller function.

COMBINATION FUNCTION

1. Press the "Grill/Combo" button twice or thrice to choose "Combination 1" (55% microwave + 45% grill) or "Combination 2" (36% microwave + 64% grill). The screen will display "C-1" or "C-2".
2. Set the cooking time (the maximum cooking time is 99 minutes and 99 seconds).
Example: To set 12 minutes 50 seconds, press "1", "2", "5", "0" in order.
3. Press "START/+30SEC." to start cooking.

FUNCTION	DISPLAY	MICROWAVE POWER	GRILL POWER
Combi. 1	C-1	55%	45%
Combi. 2	C-2	36%	64%

QUICK START

1. Instant cooking at 100% power level with 30 seconds cooking time can be used by pressing "START/+30SEC.". Each press on the button will increase cooking time by 30 seconds.
2. Instant cooking at 100% power level can also be used by selecting cooking time between 1-6 minutes. Simply press 1-6, then press "START/+30SEC." to increase the cooking time.
3. After pressing "Time Cook" and the cooking time is selected, press "START/+30SEC." to start cooking at 30 seconds with full microwave power.

Note: During microwave cooking and time defrost, time can be added by pressing "START/+30SEC." button.

WEIGHT DEFROST FUNCTION

1. Press "W.T./Time Defrost" once, and the screen will display "DEF1".
2. Press the numerical buttons to input weight to be defrosted (100-2000g).
3. Press "START/+30SEC." to start defrosting.

TIME DEFROST FUNCTION

1. Press "W.T./Time Defrost" twice, and the screen will display "DEF2".
2. Press the numerical buttons to input defrosting time.
3. The default microwave power is 3. If you wish to change the power level, press "Power" once, and the screen will display "PL3". Then press the number pad depending on the desired power level.
4. Press "START/+30SEC." to start defrosting.

POPCORN

1. Press "Popcorn" repeatedly to select between 50/100 grams.
2. Press "START/+30SEC." to start cooking.

POTATO

1. Press "Potato" repeatedly until the desired setting appears on the display:
"1": 1 potato (approx. 230 gram)
"2": 2 potatoes (approx. 460 gram)
"3": 3 potatoes (approx. 690 gram)
For example, press "Potato" once, "1" appears.
2. Press "START/+30SEC." to start cooking.

MEAT FUNCTION

Chicken

1. Press "Meat" once to choose the chicken menu, and "CHIC" will be displayed.
2. Press "START/+30SEC." to confirm the menu. "400" will flash on the screen.
3. Keep pressing "Meat" to choose chicken weight. ("600", "800", "1000" or "1200" grams)
4. Press "START/+30SEC." to start cooking.

Beef

1. Press "Meat" twice to choose the beef menu, and "BEEF" will be displayed.
2. Press "START/+30SEC." to confirm the menu. "300" will flash on the screen.
3. Keep pressing "Meat" to choose beef weight. ("500", "700", "900" or "1100" grams)
4. Press "START/+30SEC." to start cooking.

Pork

1. Press "Meat" thrice to choose the pork menu, and "PO" will be displayed.
2. Press "START/+30SEC." to confirm the menu. "150" will flash on the screen.
3. Keep pressing "Meat" to choose beef weight. ("300", "450", "600" or "750" grams)
4. Press "START/+30SEC." to start cooking.

MULTISTAGE COOKING

In this function, 2 stages can be set for cooking. In multistage cooking, if one stage is defrosting, then defrosting shall be placed at the first stage automatically.

Note: Auto cooking cannot work in multi-stage cooking.

Example: If you wish to cook with 200g defrost + 80% microwave power for 7 minutes, the cooking steps are as follows:

1. Press "W.T./Time Defrost" once, then press "2", "0", "0" to set the cooking weight;
2. Press "Time Cook" once, then press "7", "0", "0" to set the cooking time;
3. Press "Power" once, then press "8" to select 80% microwave power.
4. Press "START/+30SEC." to start cooking.

CHILD LOCK FUNCTION

1. To lock: Press "STOP/Cancel" for 3 seconds, and the screen will display "🔒".
2. To unlock: In locked state, press "STOP/Cancel" for 3 seconds, and there will be a long "beep" denoting that lock is released.

MEMORY FUNCTION

1. Press "0/Memory " to choose memory 1-3 procedure.The screen will display 1,2,3.
2. If the procedure has been set, press "START/+30SEC." to use it. If not, continue to set the procedure. Only one or two stages can be set.
3. After finishing the setting, press "START/+30SEC." to save the procedure.
Example: To cook the food with 80% microwave power for 3 minutes and 20 seconds:
 - Press "0/Memory" twice or until the screen displays "2".
 - Press "Time Cook" once, then press "3", "2", "0" in order.
 - Press "Power" once, "PL10" will display, then press "8" and "PL8" will display.
 - Press "START/+30SEC." to save the setting.
 - Buzzer sounds once then turn
 - If you want to run the saved procedure, press " 0/Memory " twice,

UTENSILS

See the instructions below. If in doubt, you may test the utensils following the procedure below:

Utensil test

1. Fill a microwave-safe container with 1 cup of cold water (250ml) along with the utensil.
2. Cook on maximum power for 1 minute.
3. Carefully feel the utensil. If the empty utensil is warm, do not use it for microwave cooking.
4. Do not exceed 1 minute cooking time.

MATERIALS YOU CAN USE IN THE MICROWAVE OVEN

UTENSILS	REMARKS
Browning dish	Follow manufacturer's instructions. The bottom of browning dish must be at least 3/16 inch (5mm) above the turntable. Incorrect usage may cause the turntable to break.
Dinnerware	Microwave-safe only. Follow manufacturer's instructions. Do not use cracked or chipped dishes.
Glass jars	Always remove lid. Use only to heat food until just warm. Most glass jars are not heat resistant and may break.
Glassware	Heat-resistant oven glassware only. Make sure there is no metallic trim. Do not use cracked or chipped dishes.
Oven cooking bags	Follow manufacturer's instructions. Do not close with metal tie. Make slits to allow steam to escape.
Paper plates and cups	Use for short-term cooking/warming only. Do not leave oven unattended while cooking.
Paper towels	Use to cover food for reheating and absorbing fat. Use with supervision for a short-term cooking only.
Parchment paper	Use as a cover to prevent splattering or a wrap for steaming.
Plastic	Microwave-safe only. Follow the manufacturer's instructions. Should be labeled "Microwave Safe". Some plastic containers soften, as the food inside gets hot. "Boiling bags" and tightly closed plastic bags should be slit, pierced or vented as directed by package.
Plastic wrap	Microwave-safe only. Use to cover food during cooking to retain moisture. Do not allow plastic wrap to touch food.
Thermometers	Microwave-safe only (meat and candy thermometers).
Wax paper	Use as a cover to prevent splattering and retain moisture.

MATERIALS TO BE AVOIDED

UTENSILS	REMARKS
Aluminum tray	May cause arcing. Transfer food into microwave-safe dish.
Food carton with metal handle	May cause arcing. Transfer food into microwave-safe dish.
Metal or metal-trimmed utensils	Metal shields the food from microwave energy. Metal trim may cause arcing.
Metal twist ties	May cause arcing and could cause a fire in the oven.
Paper bags	May cause a fire in the oven.
Plastic foam	Plastic foam may melt or contaminate the liquid inside when exposed to high temperature.
Wood	Wood will dry out when used in the microwave oven and may split or crack.

CARE AND MAINTENANCE

1. Unplug the oven from the power supply.
2. Clean the oven cavity after using with a slightly damp cloth.
3. Clean the accessories with dishwashing soap and water.
4. The door frame seal and neighboring parts must be cleaned with a damp cloth when dirty.
5. Do not use harsh abrasive cleaners or sharp metal scrapers to clean the oven door glass since they can scratch the surface, which may result in shattering of the glass.
6. Cleaning Tip:
For easier cleaning of the cavity walls, place half a lemon in a bowl, add 300ml water and heat on 100% microwave power for 10 minutes. Wipe the oven clean using a soft, dry cloth.

TROUBLESHOOTING

The following scenarios below are normal and are not causes of concern:

SCENARIO	CAUSE
Microwave oven interfering with TV reception	Radio and TV reception may be interfered when the microwave oven is operating. It is similar to the interference of small electrical appliances like mixers, vacuum cleaners and electric fans.
Dim oven light	In low power microwave cooking, oven light may become dim.
Steam accumulating on door, hot air out of vents	This is normal as steam may accumulate while cooking food.
Oven accidentally started with no food	Do not run the oven without food inside to avoid hazards.

If you encounter the scenarios below, please refer to the instructions. If the solutions provided did not solve the issue, please contact Condura’s customer service hotline.

SCENARIO	CAUSE	CAUSE
Microwave oven interfering with TV reception	Power cord is not plugged in properly.	Unplug, then plug again after 10 seconds.
	Fuse blowing or circuit breaker works.	Reset circuit breaker or contact Condura’s customer service hotline.
Oven does not heat	The door is not closed well.	Close the door properly.

Customer Care

We are committed to serve.

QUESTIONS ABOUT YOUR CONDURA MICROWAVE OVEN

Please feel free to contact any of our customer care hotline*:

CUSTOMER SERVICE DEPARTMENT

GMA & LUZON Area

Address: 308 Sen. Gil Puyat Avenue, Makati City

Trunk Line: (02) 8 863 5555

TOLL FREE: 1800 10 888 8888

Mobile Number: +63 917 536 3030 (Globe) "SMS Only"
+63 947 996 2415 (Smart) "SMS Only"

Covered Region/Areas: National Capital Region (NCR), Ilocos Region (Region 1), Cordillera Administrative Region (CAR), Central Luzon (Region III), CALABARZON (Region IV-A), MIMAROPA except Romblon (Region IV-B), Bicol Region except Masbate (Region V)

Email Address: customercare@condura.com

CEBU Regional Office

Address: Dr. A Esperanza Building, A.C Cortes Ave. Mandaue City

Telefax No: 032 328 1416

Mobile Number: +63 947 996 2416
+63 921 222 0942

TOLL FREE: 1800 10 888 8888

Covered Region/Area: Masbate, Central Visayas (Region VII), Eastern Visayas (Region VIII)

ILOILO Regional Office

Address: 109 Yulo Street, Brgy. Yulo-Arroyo, Iloilo City, Iloilo

Telefax No: 032 36 1121

Mobile Number: +63 947 996 2417
+63 999 925 5736

TOLL FREE: 1800 10 888 8888

Covered Region/Area: Romblon, Western Visayas (Region VI)

CAGAYAN DE ORO Regional Office

Address: No. 102 CKY Center, Capistrano-Chavez Street, CDO City

Telefax No: 08822 721 905

Mobile Number: +63 947 996 2419
+63 939 253 5011

TOLL FREE: 1800 10 888 8888

Covered Region/Area: Zamboanga Peninsula (Region IX), Northern Mindanao (Region X), Autonomous Region in Muslim Mindanao (ARMM) except Maguindanao, Agusan Del Norte, Surigao del Norte

DAVAO Regional Office

Address: 1C, Nand-Saling Building, Sobrecarey Street, Obrero, Davao City

Telefax No: 082 224 5040

Mobile Number: +63 947 996 2418
+63 922 294 1478

TOLL FREE: 1800 10 888 8888

Covered Region/Area: Davao Region (Region XI), SOCCSKSARGEN (Region XIII), Agusan Del Sur, Surigao del Sur, Maguindanao

All contact information detailed above may change without prior notice.



CONCEPCION DURABLES INCORPORATED

CUSTOMER SERVICE DEPARTMENT

308 Sen. Gil Puyat Avenue, Makati City

Trunk Line: (02) 8 863 5555

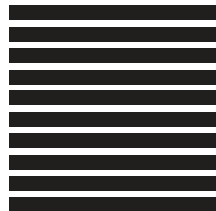
TOLL FREE: 1800 10 888 8888

**Mobile Nos.: 0917 536 3030 (Globe)
0947 996 2415 (Smart)**

PO BOX 211 COMMERCIAL CENTER

MAKATI CITY

**BUSINESS REPLY!
Permit No. 2416A!
NO STAMP NEEDED**



CONDURA

PRODUCT WARRANTY CERTIFICATE

IMPORTANT: PLEASE READ CAREFULLY

Concepcion Durables, Inc. ("CDI") warrants to the purchaser that this CONDURA MICROWAVE OVEN will be free from defects in material and workmanship, and agrees to repair or replace any defective part or unit with a new or equivalent part or unit through any of its Authorized Service Centers if such defect is found to be manufacturer's error and in accordance with the terms of this warranty, subject to the following conditions:

1. COVERAGE OF WARRANTY

Applicable for Condura Microwave Oven

2. WARRANTY PERIOD (from the date of original purchase)

System Parts and labor..... 2 Years

CDI warrants this Microwave Oven to the original purchaser/user to be free from defects in materials and workmanship under normal use.

CDI shall, at no cost to the original purchaser/user, repair or replace the unit or any of its parts that is found by CDI to be actually defective within the Warranty Period, with original or equivalent unit or parts, subject to the conditions and exclusions provided below.

3. LIMITATIONS

This warranty is not transferable, valid only in the Philippines. This warranty shall be void if the unit is:

- Improperly installed or mounted, or subjected to misuse, abuse, neglect, accident, alteration or abnormal voltage conditions
- Plugged into any device other than a suitable power supply outlet
- Serviced, opened, dismantled, disassembled, or reassembled by anyone other than a CDI accredited service center
- Damaged in transport or subjected to rough handling
- Damaged due to rodent, pest, or related infestation
- Damaged due to commercial use (stores, restaurants, other businesses, and non-household application)
- Damaged due to accidents, flood, fire, etc.

This warranty does not cover breakable parts and accessories, and any damages due to wear and tear.

The above warranties are given by CDI in lieu of any other warranties, express or implied. CDI and its vendors disclaim any implied warranty of merchantability or fitness for a particular purpose or any similar standard imposed by applicable legislation. CDI's responsibility to repair, replace or offer a refund for defective units, parts and related items is the sole and exclusive remedy provided for breach of these warranties.

MODEL NO. SERIAL NO.

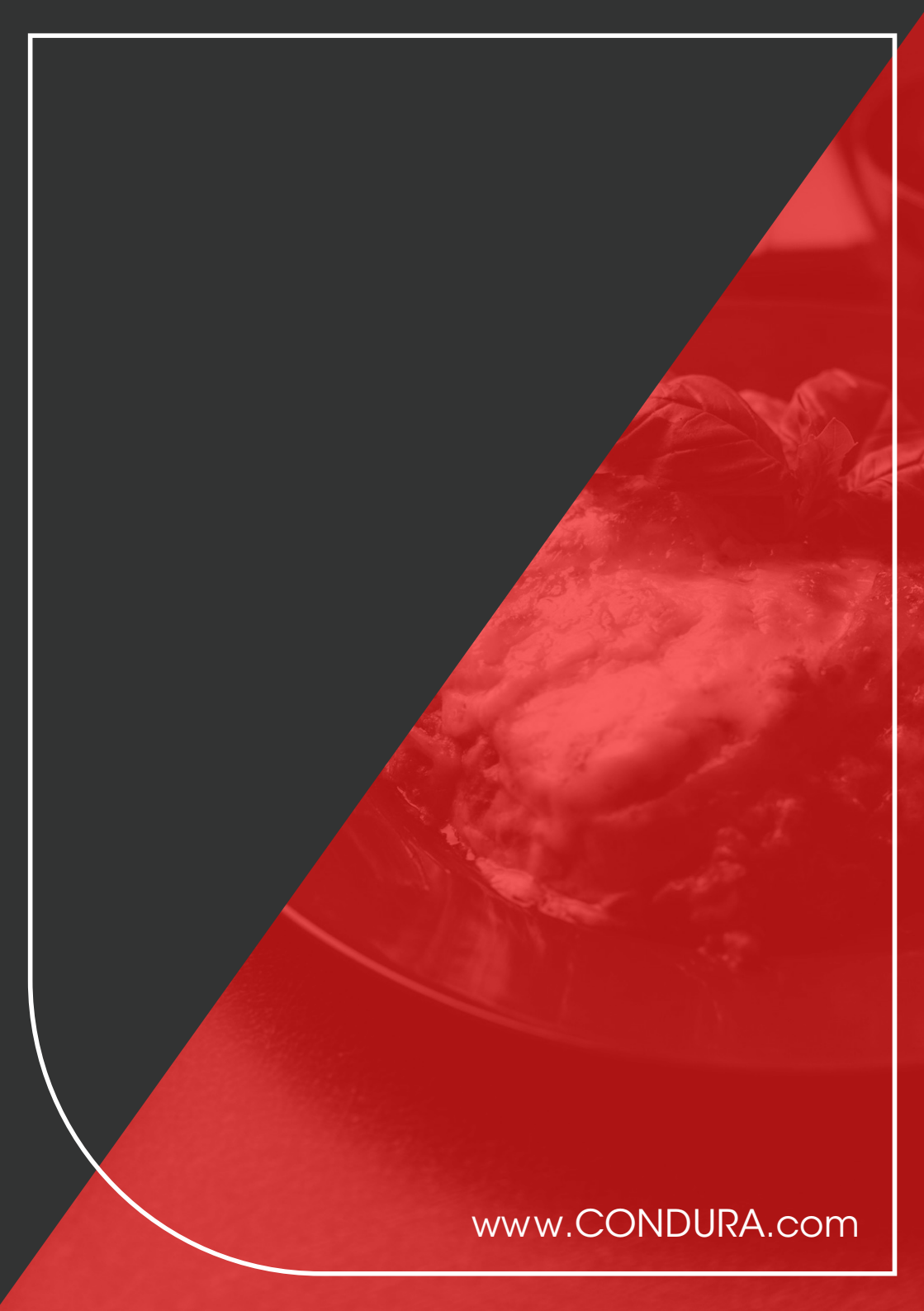
NOTE: Keep this warranty card together with your Original Sales Invoice /Official Receipt as proof of purchase. If the date of purchase cannot be proven, warranty shall be based on CDI's Invoice to Dealer.



Fill out this warranty card completely and mail within 15 days from date of purchase. This will activate your warranty.



MODEL NO. SERIAL NO.
DEALER (Please indicate branch)
DATE OF PURCHASE **DEALER INVOICE NO.**
CUSTOMER NAME **EMAIL ADDRESS**
ADDRESS
TELEPHONE NO. MOBILE NO.



www.CONDURA.com