

CMO20M1WS
VINTAGE STYLE
MICROWAVE OVEN (20L)
OWNER'S MANUAL

CONDURA
IBA ANG PINOY

IMPORTANT SAFEGUARDS

When using any electrical appliance, basic safety precautions should always be followed including the following:

1. Please read the instructions carefully before using any appliance.
2. Always ensure that the voltage on the rating label corresponds to the main voltage in your home.
3. Incorrect operation and improper use can damage the appliance and cause injury to the user.
4. The appliance is intended for household use only. Commercial use invalidates the warranty and the manufacturer can not be held responsible for injury or damage caused when using the appliance for any other purpose than that intended.
5. Avoid any contact with moving parts.
6. Close supervision is required when any appliance is used near or by children or invalids.
7. Check the power cord and plug regularly for any damage. If the cord or the plug is damaged, it must be replaced by the manufacturer or a qualified person in order to avoid an electrical hazard.
8. Do not use the appliance if it has been dropped or damaged in any way. In case of damage, contact Condura's customer service hotline.
9. Do not operate the oven when empty.
10. Do not operate this appliance if it has a damaged cord or plug, if it is not working properly or if it has been damaged or dropped. If the supply cord is damaged, it must be replaced by the manufacturer or its service agent or a similarly qualified person in order to avoid hazards.
11. This appliance is not intended for use by persons (including children) with reduced physical, sensory or mental capabilities, or lack of experience and knowledge, unless they have been given supervision or instruction concerning use of the appliance by a person responsible for their safety.
12. **WARNING:** Only allow children to use the oven without supervision when adequate instructions have been given so that the child is able to use the oven in a safe way and understands the hazards of improper use.
13. Do not operate the microwave unit without any food contents inside the cavity.
14. To reduce the risk of fire in the oven cavity:
 - Remove wire twist-ties from paper or plastic bags before placing the bag in oven.
 - If smoke is emitted, switch off or unplug the appliance and keep the door closed in order to stifle any flames.
 - Do not use the cavity for storage purposes. Do not leave paper products, cooking utensils or food in the cavity when not in use.
WARNING: Liquid or other food must not be heated in sealed containers since they may explode.

15. Microwave heating of beverages can result in delayed eruptive boiling, therefore care has to be taken when handling the container.
16. Do not fry food in the oven. Hot oil can damage oven parts and utensils and even result in burns.
17. Eggs in their shell and whole hard-boiled eggs should not be heated in microwave ovens since they may explode even after microwave heating has ended.
18. Pierce food with heavy skin such as potatoes, whole squashes, apples and chestnuts before cooking.
19. The contents of feeding bottles and baby jars should be stirred or shaken and the temperature should be checked before serving in order to avoid burns or scalding.
20. Cooking utensils may become hot because of heat transferred from the heated food. Potholders/oven gloves may be needed to handle the utensil.
21. Utensils should be checked to ensure that they are suitable for use in microwave oven.
22. **WARNING:** It is hazardous for anyone other than a trained person to carry out any service or repair operation which involves the removal of any cover which gives protection against exposure to microwave energy.
23. This product is Group 2 Class B ISM equipment. The definition of Group 2 which contains all ISM (Industrial, Scientific and Medical) equipment in which radiofrequency energy is intentionally generated and/or used in the form of electromagnetic radiation the treatment of material, and spark erosion equipment. Class B equipment is equipment suitable for use in domestic establishments and in establishments directly connected to a low voltage power supply network which supplies buildings used for domestic purpose.
24. Do not immerse the unit in water or any other liquid for cleaning purposes.
25. Remove the plug from the socket by gripping the plug. Do not pull on the cord to disconnect the appliance from the power outlet. Always unplug the unit when not in use, before cleaning or when adding or removing parts.
26. The use of accessory attachments that are not recommended or supplied by the manufacturer may result in injuries, fire or electric shock.
27. A short cord is provided to reduce the hazards resulting from becoming entangled in or tripping over a longer cord.
28. Do not let the cord hang over the edge of a table or counter. Ensure that the cord is not in a position where it can be pulled on inadvertently.
29. Do not allow the cord to touch hot surfaces and do not place on or near a hot gas or electric burner or in a heated oven.
30. Do not use the appliance on a gas or electric cooking top or over or near an open flame.
31. Use of an extension cord with this appliance is not recommended. However, if it is necessary to use an extension cord, ensure that the lead is suited to the power consumption of the appliance to avoid overheating of the extension cord, appliance or plug point. Do not place the extension cord in a position where it can be pulled on by children or animals or tripped over.

32. This appliance is not suitable for outdoor use. Do not use this appliance for anything other than its intended use.
33. Do not carry the appliance by the power cord.
34. Do not leave this appliance unattended during use. Always unplug the unit when not in use or before cleaning.
35. Always operate the appliance on a smooth, even, stable surface. Do not place the unit on a hot surface.
36. Ensure that the switch is in the "Off" or "0" position after each use.
37. The manufacturer does not accept responsibility for any damage or injury caused by improper or incorrect use, or for repairs carried out by unauthorized personnel.
38. In case of technical problems, switch off the machine and do not attempt to repair it yourself. Contact Condura's customer hotline for examination, adjustment or repair. Always insist on the use of original spare parts. Failure to comply with the above mentioned pre-cautions and instructions could affect the safe operation of this machine.
39. The microwave oven should not be placed in a cabinet unless it has been tested in a cabinet.
40. Appliances are not intended to be operated by means of an external timer or separate remote-control system.
41. The door or the outer surface may get hot when the appliance is in operation.
42. The rear surface of the appliance should be placed against a wall.

SPECIFICATIONS

Model	CMO20M1WS
Power Consumption	1050W (Microwave)
Voltage/Frequency	230V~60Hz
Power Output	700W
Product Dimensions	257mm (H) x340 mm (W) x 360mm (D)
Oven Capacity	20 Litres
Turntable Diameter	255mm
Net Weight	9.8kg

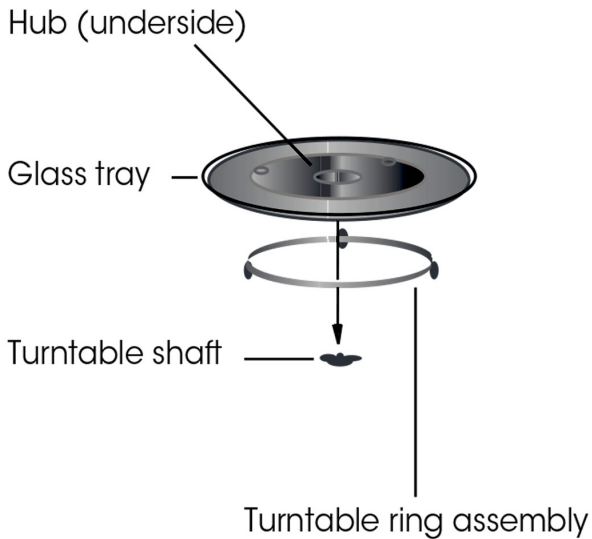
PRECAUTIONS TO AVOID POSSIBLE EXPOSURE TO EXCESSIVE MICROWAVE ENERGY

- Do not attempt to operate this oven with the door open since open door operation can result in harmful exposure to microwave energy. It is important not to break or tamper with the safety interlocks.
- Do not place any object between the oven front face and the door or allow dirt or cleaner residue to accumulate on sealing surfaces.
- Do not operate the oven if it is damaged. It is particularly important that the oven door closes properly and that there is no damage to the:
 - A. Door (bent),
 - B. Hinges and latches (broken or loosened),
 - C. Door seals and sealing surface.
- The oven should not be adjusted or repaired by anyone except properly qualified service personnel.
- If the microwave oven is not maintained in a good state of cleanliness, its surface could become degraded, its lifespan affected and could result in a possibly hazardous situation.

INSTALLATION

1. Make sure that all the packing materials are removed from the inside of the door.
2. **WARNING:** Check the oven for any damage, such as misaligned or bent door, damaged door seals and sealing surface, broken or loose door hinges and latches and dents inside the cavity or on the door. If there is any damage, do not operate the oven and contact qualified service personnel.
3. This microwave oven must be placed on a flat, stable surface to hold its weight and the heaviest food likely to be cooked in the oven.
4. Do not place the oven where heat, moisture, or high humidity are generated, or near combustible materials.
5. For correct operation, the oven must have sufficient airflow. Allow 20cm of space above the oven, 20cm at back and 20cm at both sides. Do not cover or block any openings on the appliance. Do not remove feet.
6. Do not operate the oven without a glass tray, roller support, and shaft in their proper positions.
7. Make sure that the power supply cord is undamaged and does not run under the oven or over any hot or sharp surface.
8. The socket must be readily accessible so that it can be easily unplugged in case of an emergency.
9. Blocking the intake and/or outlet openings can damage the oven.
10. Remove any protective film found on the microwave cabinet surface. Do not remove the light brown Mica cover that is attached to the oven cavity to protect the magnetron.
11. Do not place the glass tray upside down. The glass tray should not be restricted.
12. Both the glass tray and turntable ring assembly must always be used during cooking.
13. All food and containers are always to be placed on the glass tray for cooking.
14. If the glass tray or turntable ring assembly cracks or breaks, contact Condura's customer service hotline.

TURNTABLE INSTALLATION



RADIO INTERFERENCE

Operation of the microwave oven can cause interference to your radio, TV, or similar equipment. When there is interference, it may be reduced or eliminated by taking the following measures:

- Clean the door and sealing surface of the oven.
- Reposition the receiving antenna of the radio or television.
- Relocate the microwave oven with respect to the receiver.
- Plug the microwave oven into a different outlet so that microwave oven and receiver are on different branch circuits.

MICROWAVE COOKING PRINCIPLES

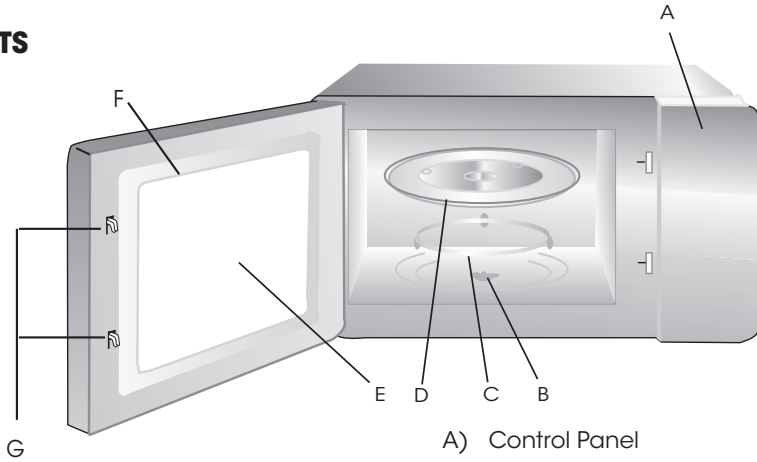
- Arrange food carefully. Place thickest areas towards outside of dish.
- Watch cooking time. Cook for the shortest amount of time indicated and add more as needed. Food severely overcooked can smoke or ignite.
- Cover food while cooking. Covers prevent spattering and help food to cook evenly.
- Turn food over once during microwave cooking to speed cooking of such food as chicken and hamburgers. Large items like roasts must be turned over at least once.
- Rearrange food such as meatballs halfway through cooking both from top to bottom and from the center of the dish to the outside.

UTENSILS GUIDE

- The ideal material for a microwave utensil is material which is transparent. This allows energy to pass through the container and heat the food.
- A microwave cannot penetrate metal, so metal utensils or dishes with metallic trim should not be used.
- Do not use recycled paper products when microwave cooking, as they may contain small metal fragments which may cause sparks and/or fires.
- Round /oval dishes rather than square/oblong ones are recommend, as food in corners tends to overcook.
- The list below is a general guide to help you select the correct utensils:

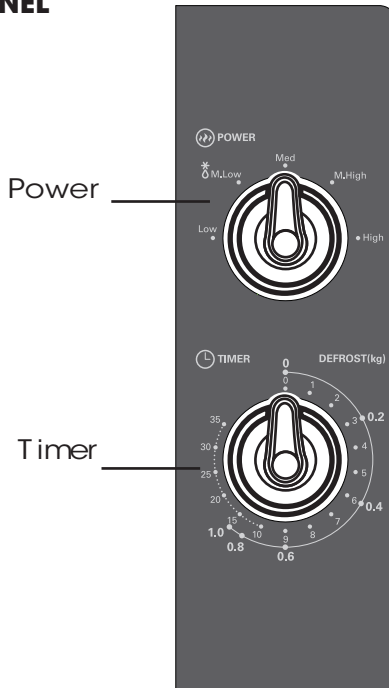
COOKWARE	MICROWAVE
Heat-Resistant Glass	Yes
Non Heat-Resistant Glass	No
Heat-Resistant Ceramics	Yes
Microwave-Safe Plastic Dish	Yes
Paper Kitchen Towels	Yes
Metal Tray	No
Metal Rack	No
Aluminium Foil & Foil Containers	No
Parchment Paper	Yes
Plastic Wrap	Yes
Wax Paper	Yes
Containers containing metal parts	No
Metal Twist-ties	No
Paper Bags	No
Plastic Foam	No
Wood	No

PARTS



- A) Control Panel
- B) Turntable Shaft
- C) Turntable ring assembly
- D) Glass tray
- E) Observation window
- F) Door assembly
- G) Safety interlock system

CONTROL PANEL



OPERATING INSTRUCTIONS

1. Turn the power knob clockwise to set the desired power level.
2. Turn the timer knob clockwise to set the desired cooking cycle time. The amount of time can be followed as per your cooking guide or chosen recipe.
3. The microwave oven will automatically start cooking after the power level and cooking cycle time are set.
4. Once the cooking cycle time has finished, the unit will make a beeping sound or end signal to let you know that it has finished cooking.
5. Always set the time to "0" when the unit is not in use.

COOKING GUIDE

Function/Power	Power Output	Application
Low	17% micro.	Soften ice cream
Med. Low (Defrost)	33% micro.	Soup, stew, soften butter or defrost
Med.	55% micro.	Stew, fish
Med. High	77% micro.	Rice, fish, chicken
High	100% micro.	Reheat, milk, boil water, vegetables, heat beverages

Notice: When removing food from the oven, please ensure that the oven power is switched off by turning the timer switch to 0 (zero). Failure to do so, and operating the microwave oven without food in it, can result in overheating and damage to the magnetron.

TROUBLESHOOTING

Normal	
Dim oven light	During cooking with low microwave power, the oven light may become dim. It is normal.
Steam accumulating on door/ hot air out of vents	Food may generate steam during the cooking process. Most steam will escape via the vents. However, some may accumulate on the oven door. This is normal

Trouble	Possible Cause	Remedy
Microwave does not start up	Power cord not plugged in correctly	Unplug, then plug in again after 10 seconds
	(1) Fuse blowing or circuit breaker works	Replace the fuse or reset the circuit breaker
	(2) Trouble with the power outlet	Test the power outlet with other electrical appliances
Microwave does not heat	The door is not closed properly	Close the door well
Glass turntable makes noise when microwave is in operation	Dirty roller and cavity bottom	Refer to "Cleaning and Maintenance" section of the instruction manual to clean dirty or soiled parts



According to the Waste of Electrical and Electronic Equipment (WEEE) directive, WEEE should be separately collected and treated. If at any time you need to dispose of this product, please do NOT dispose of this product with household waste. Please send this product to WEEE collecting points where available.



CLEANING AND MAINTENANCE

- This appliance is for household use only and is not user-serviceable.
- Do not open or change any parts by yourself.
Please contact Condura's customer service hotline for any repairs.
- Turn off the oven and remove the power plug from the wall socket before cleaning.
- Keep the inside of the oven clean. When food splatters or spilled liquids adhere to oven walls, wipe with a damp cloth. Mild soap may be used if the oven gets very dirty. Avoid the use of spray and other harsh cleaners as they may stain, streak or dull the door surface.
- The outside surfaces should be cleaned with a damp cloth. To prevent damage to the operating parts inside the oven, water should not be allowed to seep into the ventilation openings.
- Wipe the door and window on both sides, the door seals and adjacent parts frequently with a damp cloth to remove any spills or splatters. Do not use abrasive cleaner.
- Do not allow the control panel to become wet. Clean with a soft, damp cloth.
- When cleaning the control panel, leave oven door open to prevent oven from accidentally turning on.
- If steam accumulates inside or around the outside of the oven door, wipe with a soft cloth. This may occur when the microwave oven is operated under high humidity condition.
- It is occasionally necessary to remove the glass tray for cleaning. Wash the tray with warm water and soap or in a dishwasher.
- The roller ring and oven door should be cleaned regularly to avoid excessive noise. Simply wipe the bottom surface of the oven with mild soap. The roller ring may be washed with warm water and soap or dishwasher. When removing the roller ring from cavity floor for cleaning, be sure to replace in the proper position.

- Remove odors from your oven by combining a cup of water with the juice and rind of one lemon in a deep microwaveable bowl, microwave for 5 minutes. Wipe thoroughly and dry with a soft cloth.
- The oven should be cleaned regularly and any food deposits must be removed. Failure to maintain the oven in a clean condition could lead to deterioration of the surface that could adversely affect the life of the appliance and possibly result in a hazardous situation.
- Please do not dispose this appliance into the domestic garbage collection; it should be disposed to the particular disposal center provided by the municipalities.
- Do not use bleach or other abrasive substance or solvents to clean your appliance as it can be damaging to the finish.

STORING THE APPLIANCE

- Unplug the unit from the wall outlet and clean all the parts as instructed above.
- Ensure that all parts are dry before storing.
- Store the appliance in its box or in a clean, dry place.
- Do not store the appliance while it is still wet or dirty.
- Do not wrap the power cord around the appliance.

SERVICING THE APPLIANCE

There are no user serviceable parts in this appliance. If the unit is not operating correctly, please check the following:

- You have followed the instructions correctly.
- That the unit has been wired correctly and that the wall socket is switched on.
- That the main power supply is on.
- That the plug is firmly in the main socket.

If the supply cord is damaged, it must be replaced by the manufacturer or an authorized service agent, in order to avoid any hazard. If service becomes necessary within the warranty period, contact Condura's customer service hotline

Customer Care

We are committed to serve.

QUESTIONS ABOUT YOUR CONDURA VINTAGE STYLE MICROWAVE OVEN

Please feel free to contact any of our customer care hotline*:

CUSTOMER SERVICE DEPARTMENT

GMA & LUZON Area

Address: 308 Sen. Gil Puyat Avenue, Makati City

Trunk Line: (02) 8 863 5555

TOLL FREE: 1 800 10 888 8888

Mobile Number: +63 917 536 3030 (Globe) "SMS Only"
+63 947 996 2415 (Smart) "SMS Only"

Covered Region/Areas: National Capital Region (NCR), Ilocos Region (Region 1), Cordillera Administrative Region (CAR), Central Luzon (Region III), CALABARZON (Region IV-A), MIMAROPA except Romblon (Region IV-B), Bicol Region except Masbate (Region V)

Email Address: customercare@condura.com

CEBU Regional Office

Address: Dr. A Esperanza Building, A.C Cortes Ave. Mandaue City

Telefax No: 032 328 1416

Mobile Number: +63 947 996 2416

+63 921 222 0942

TOLL FREE: 1 800 10 888 8888

Covered Region/Area: Masbate, Central Visayas (Region VII), Eastern Visayas (Region VIII)

ILOILO Regional Office

Address: 109 Yulo Street, Brgy. Yulo-Arroyo, Iloilo City, Iloilo

Telefax No: 032 36 1121

Mobile Number: +63 947 996 2417

+63 999 925 5736

TOLL FREE: 1 800 10 888 8888

Covered Region/Area: Romblon, Western Visayas (Region VI)

CAGAYAN DE ORO Regional Office

Address: No. 102 CKY Center, Capistrano-Chavez Street, CDO City

Telefax No: 08822 721 905

Mobile Number: +63 947 996 2419

+63 939 253 5011

TOLL FREE: 1 800 10 888 8888

Covered Region/Area: Zamboanga Peninsula (Region IX), Northern Mindanao (Region X), Autonomous Region in Muslim Mindanao (ARMM) except Maguindanao, Agusan Del Norte, Surigao del Norte

DAVAO Regional Office

Address: 1C, Nand-Saling Building, Sobrecarey Street, Obrero, Davao City

Telefax No: 082 224 5040

Mobile Number: +63 947 996 2418

+63 922 294 1478

TOLL FREE: 1 800 10 888 8888

Covered Region/Area: Davao Region (Region XI), SOCCSKSARGEN (Region XIII), Agusan Del Sur, Surigao del Sur, Maguindanao

All contact information detailed above may change without prior notice.



CONCEPCION DURABLES INCORPORATED

CUSTOMER SERVICE DEPARTMENT

308 Sen. Gil Puyat Avenue, Makati City

Trunk Line: (02) 8 863 5555

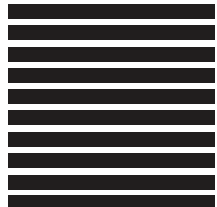
TOLL FREE: 1 800 10 888 8888

**Mobile Nos.: 0917 536 3030 (Globe)
0947 996 2415 (Smart)**

PO BOX 211 COMMERCIAL CENTER

MAKATI CITY

**BUSINESS REPLY!
Permit No. 2416A!
NO STAMP NEEDED**



CONDURA

PRODUCT WARRANTY CERTIFICATE

IMPORTANT: PLEASE READ CAREFULLY

Conception Durables, Inc. ("CDI") warrants to the purchaser that this CONDURA MICROWAVE OVEN will be free from defects in material and workmanship, and agrees to repair or replace any defective part or unit with a new or equivalent part or unit through any of its Authorized Service Centers if such defect is found to be manufacturer's error and in accordance with the terms of this warranty, subject to the following conditions:

1. COVERAGE OF WARRANTY

Applicable for CONDURA VINTAGE STYLE MICROWAVE OVEN (20L)

2. WARRANTY PERIOD (from the date of original purchase)

System Parts and labor..... 2 Years

CDI warrants this Vintage Style Microwave Oven (20L) to the original purchaser/user to be free from defects in materials and workmanship under normal use.

CDI shall, at no cost to the original purchaser/user, repair or replace the unit or any of its parts that is found by CDI to be actually defective within the Warranty Period, with original or equivalent unit or parts, subject to the conditions and exclusions provided below.

3. LIMITATIONS

This warranty is not transferable, valid only in the Philippines. This warranty shall be void if the unit is:

- Improperly installed or mounted, or subjected to misuse, abuse, neglect, accident, alteration or abnormal voltage conditions
- Plugged into any device other than a suitable power supply outlet
- Serviced, opened, dismantled, disassembled, or reassembled by anyone other than a CDI accredited service center
- Damaged in transport or subjected to rough handling
- Damaged due to rodent, pest, or related infestation
- Damaged due to commercial use (stores, restaurants, other businesses, and non-household application)
- Damaged due to accidents, flood, fire, etc.

This warranty does not cover breakable parts and accessories, and any damages due to wear and tear.

The above warranties are given by CDI in lieu of any other warranties, express or implied. CDI and its vendors disclaim any implied warranty of merchantability or fitness for a particular purpose or any similar standard imposed by applicable legislation. CDI's responsibility to repair, replace or offer a refund for defective units, parts and related items is the sole and exclusive remedy provided for breach of these warranties.

MODEL NO. SERIAL NO.

NOTE: Keep this warranty card together with your Original Sales Invoice /Official Receipt as proof of purchase. If the date of purchase cannot be proven, warranty shall be based on CDI's Invoice to Dealer.



Fill out this warranty card completely and mail within 15 days from date of purchase. This will activate your warranty.

CONDURA

MODEL NO. SERIAL NO.

DEALER (Please indicate branch)

DATE OF PURCHASE **DEALER INVOICE NO.**

CUSTOMER NAME **EMAIL ADDRESS**

ADDRESS

TELEPHONE NO. MOBILE NO.

CONDURA

IBA ANG PINOY

www.condura.com

